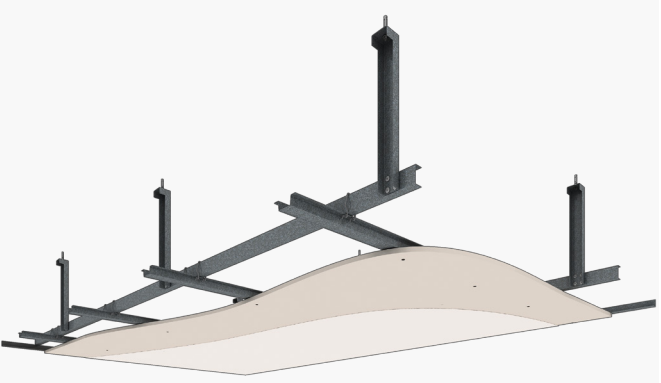


DRYWALL CEILING

MONOLITHIC ACOUSTICAL CEILING (MAC)-ENSEMBLE™



MAC CEILING DRAWINGS



FEATURES AND BENEFITS

- Seamless plasterboard has a fine texture and actual acoustical performance of up to 0.90 NRC.
- Special acoustical perforated Monolithic Acoustical Ceiling (MAC) board to optimize sound performance.
- Class 1 surface burning as per BS 476, Part 7.
- Fire propagation index, I = 5.0 as per BS 476, Part 6.
- VOC <0.1 mg/m³/hr as per ASTM D5116.
- High light-reflective finish (LR-0.85 for white finish) reduces fixture & energy use.
- Acoustically transparent spray-applied finish.

APPLICATIONS

- Lobbies
- Commercial offices
- Atriums
- Museums
- Executive/board rooms
- Conference rooms
- Corridors

AVAILABLE COLOR



**Check with our technical team for lead time delivery*



MAC CEILING DESCRIPTION

USG ME Monolithic Acoustical Ceiling (MAC) offers a seamless plasterboard with a fine texture and acoustical performance of up to 0.90 NRC. Installation is similar to standard plasterboard and plasterboard suspension systems. USG ME Monolithic Acoustical Ceilings (MAC) are highly engineered and made of gypsum, performing like acoustical ceiling panels.

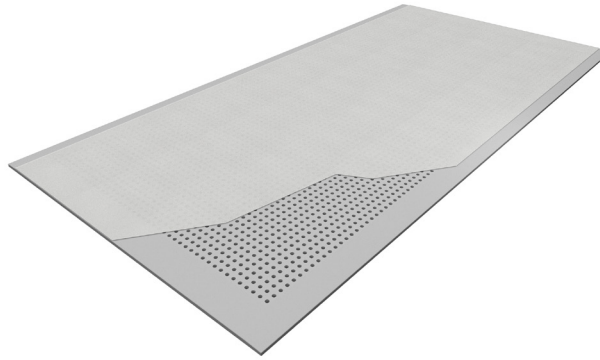




SYSTEM COMPONENTS

SYSTEM SPECIFICATION

- Monolithic Acoustical Ceiling (MAC) Board 12.5mm-thick, 1200mm-wide, and 2400mm in length, with tapered edges.
- USG ME Monosilent Compound.
- USG ME MAC Plaster Spray Applied Finish.
- 50mm-thick 40kg/m³ Stonewool or 90mm-thick 14kg/m³ glasswool.
- USG Middle East drywall ceiling suspension system.
- USG Middle East jointing and tape solution.



Monolithic Acoustical Ceiling (MAC)		
Specification	Weight	≈ 9kg/m ²
	Board Size	1200x2400x12.5mm
	Final Thickness	16mm
	Acoustic Rating*	Up to NRC 0.90
	Light Reflectance	0.85 for white finish
	Fire Hazard Properties	Fire propagation index, I = 5.0 (BS 476 Part 6) Surface spread of flame = Class 1 (BS 476 Part 7)
	Final Finish	MAC Plaster Spray Applied Finish Standard white or black. Other RAL colors are available upon request Seamless and spray-applied fine texture with low VOC-emitting material
	Framing	USG ME Suspension System
	Insulation	Glasswool 90mm-thick 14kg/m ³ or Stonewool 50mm-thick 40kg/m ³
	Fastener	25mm Type "S" Needle Point Screws
	Joint Tape	USG Sheetrock® Brand Paper Joint Tape
Joint Compound	USG ME Monosilent Compound	
Acoustic Performance**	0.90 NRC	Insulation: Stonewool 50mm thick, 40 kg/m ³ 100mm Suspension mounting from plenum
	0.90 NRC	Insulation: Glasswool 90mm thick, 14kg/m ³ 100mm Suspension mounting from plenum
	0.70 NRC	No Insulation, 200mm Suspension mounting from plenum
	0.60 NRC	No Insulation, 400mm Suspension mounting from plenum

* NRC values for panels with factory applied acoustical backer

** Additional acoustical backer options available for enhanced total acoustics NRC and CAC performance

LIMITATION

1. For interior ceilings only.
2. Not for use in areas subject to continuous high heat and/or humid conditions.
3. Not for use in plenums with differential pressure and not for use in return-air plenums.
4. Return air ducts shall be installed according to ASHRAE standards and guidelines.
5. In order to ensure installed performance, component substitutions are not permitted.

